



DDA

Smoke Damper

Description

The DDA type Smoke Dampers are designed for preventing the spreading of smoke in air ducts.

Properties

DDA type dampers are used in rectangular ducts. The blades are placed with a pitch of 100 mm and are shaped to overlap each other when closed; thereby minimizing leakage. The blades have parallel motion, being connected with a steel link. The damper body is self-flanged and contains the servomotor mounting bracket.

Materials

The body and the blades are manufactured from 1.2 mm thick galvanized steel sheets. The blades are mounted on galvanized steel shafts which are housed by bronze bushings which do not need lubrication.

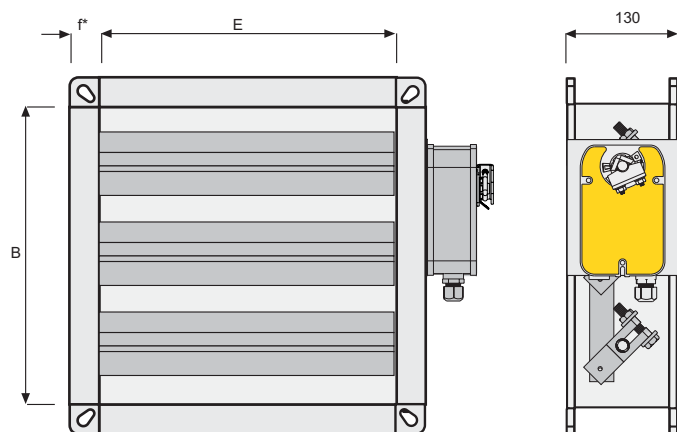
Accessories

Servomotor

BELIMO maintenance-free servomotors are optionally installed on the damper bodies.

Dimensions

Parallel Blades (Servomotor)



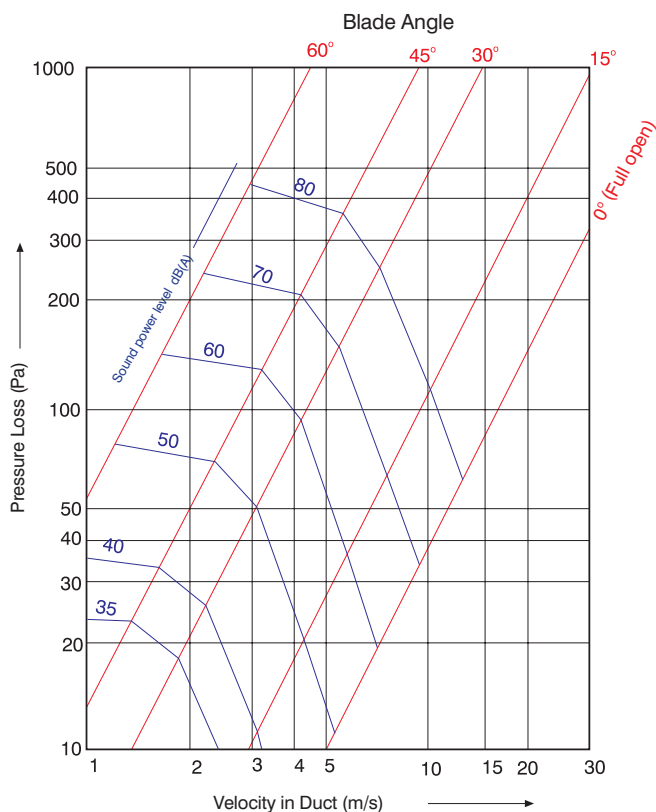
Standard Dimensions

E (mm)	B (mm)
100	100
200	200
300	300
400	400
500	500
600	600
700	700
800	800
900	900
1000	1000
1100	1100
1200	1200
1300	1300
1400	1400
1500	1500
1600	1600
1700	1700
1800	1800
1900	1900
2000	2000

Flange

f (mm)
30
35

Technical Data



Specification Text

Rectangular type smoke damper, for preventing the spreading of smoke in air ducts. The body and the blades will be manufactured from 1.2 mm galvanized steel sheets. The blades will be fastened to central, galvanized shafts which will be housed by bronze bushings that need no lubrication. The blades will be connected by a common steel rod and move parallel to each other. When closed, the

blades will have an overlap to block free area and reduce leakages. The casing will be self-flanged to mount on standard rectangular flanged ducts and its leakage rate will comply with EN1751 Class-C. The blades will be operated with a servomotor.

Order Code

Model	DDA.30.MA.00-300 x 300	
Flange	30 mm 35 mm	E x B (mm) Refer to page 2
Accessories	HA..w/ motor mounting bracket, w/o motor MA.With Servomotor	Standard Dimensions

D

DDA

Smoke Damper

KES KLİMA

INDUSTRIAL AND TRADE CO.

Uzay Çağı Caddesi No:10

06370 ÖstİM/ANKARA

Phone: +90.312.385 76 57

Fax : +90.312.354 12 31

www.kesklima.com



TÜV Rheinland Group



DIN EN ISO 9001:2000

Zertifikat: 01 100 042854